

WALL-MOUNT ROUGH-IN INSTALLATION

BEFORE YOU BEGIN:

We recommend consulting a professional if you are unfamiliar with installing plumbing fixtures. We accept no liability for any damage to the faucet, plumbing, sink, counter top, to personal injury during the installation.

CAUTION:

Always turn water OFF before removing existing or disassembling the faucet. Open faucet handles to relieve water pressure and insure that complete water shut-off has been accomplished.

HELPFUL TOOLS:



Teflon Tape



Adjustable Wrench



Level



Thread Sealant



Pencil or Marker



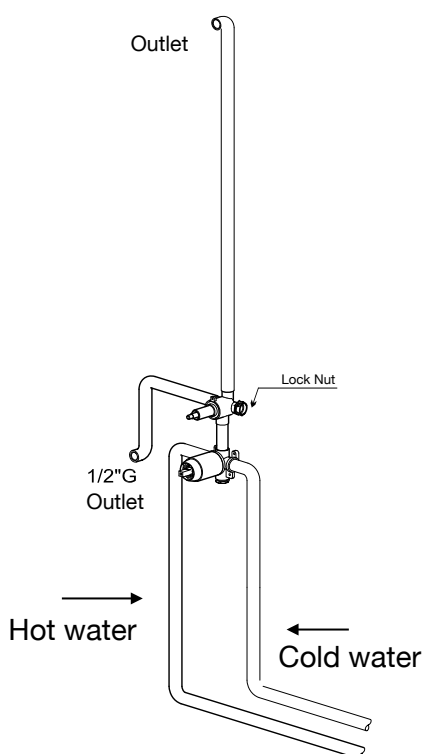
Drill

NOTICE:

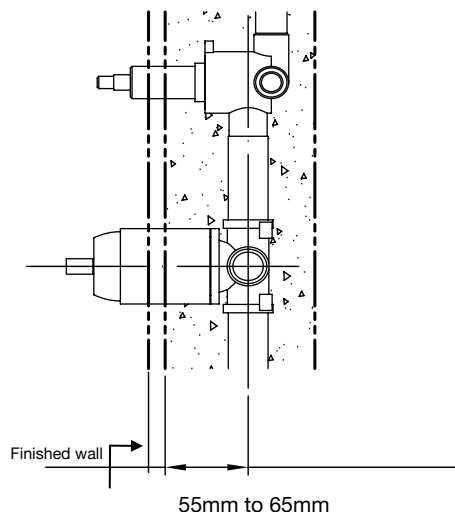
1. Shut off the main water supply where the new faucet is being installed.
2. For these instructions, it is assumed the floor has been finished and the water supply has been prepared.

INSTALLATION:

1. Install the valve body and connect the inlet and outlet pipes. Wrap teflon tape around the thread before attaching. The hot water supply is on the left, and the cold water supply is on the right.

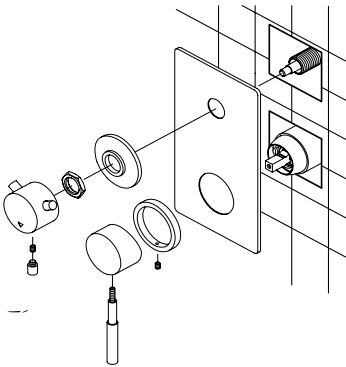


2. Before installing the finished wall, test the water pressure to the valve. Make sure no leakage occurs. Make sure no leakage occurs. The rough-in measurement from the finished wall to the center of valve body is approximate between 55mm to 65mm.



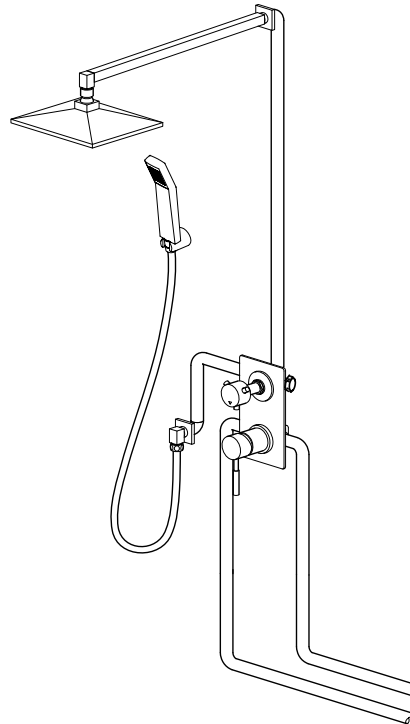
WALL-MOUNT ROUGH-IN INSTALLATION

3. Remove the protective sheath from the valve and install the decorative escutcheon. Tighten the fixing ring with the hex wrench. Place the handle on the valve body and tighten the screw to secure.



4. Install the hand shower cradle. Apply thread sealant or teflon tape to the thread before tightening. Hand tighten firmly. Attach the hand shower to the cradle using the hand shower hose.

5. Install the shower arm by threading it. Install the shower head using the provided swivel joint. Then turn the main water supply back on and test the completed shower system.



CARE and CLEANING:

- Use a mild and soft detergent such as warm water for cleaning. Do not use abrasive cleaners that may scratch or dull the faucet vibrant surface.
- Do not allow cleaner to sit or soak on the surface or the spot will be appeared after a while.
- Clean and rinse with water immediately after cleaner application.
- Use a soft sponge or cloth. Do not use an abrasive material such as blush or scouting pad to clean the faucet surface.